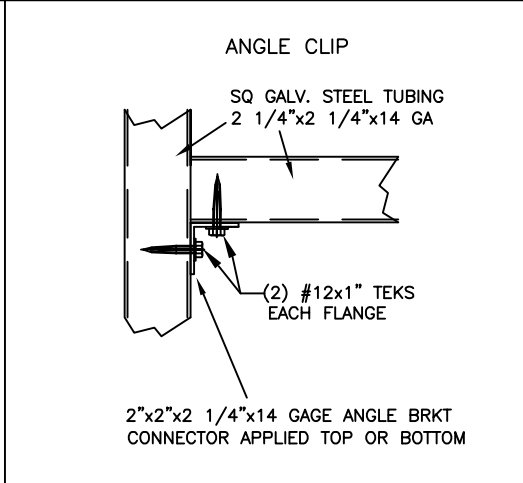
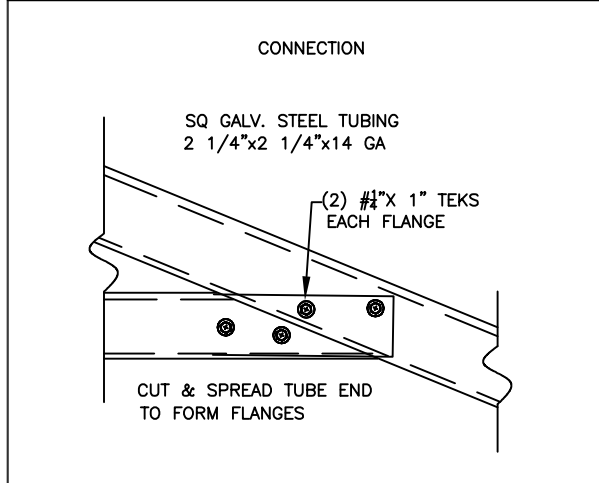


3 BASE RAIL DETAIL
2

2 BENT DETAIL
2 RAFTER TO POST CONNECTION

1 PINNED BASE DETAIL
2 FOR MOUNTING ON EARTH OR ASPHALT

DETAIL B



DETAIL A

DETAIL C

WIND DESIGN PRESSURES IN PSF PER ASCE 7-10			
RISK CATEGORY = I, WIND EXPOSURE CATEGORY B			
MEAN ROOF HEIGHT MAX. 30'			
INTERNAL PRESSURE COEFFICIENT = Open ±.00			
COMPONENT AND CLADDING WORST LOAD CASE			
WIND SPEEDS MPH			
V ult	V asd	ROOF	WALL
140	108	20.3/-83.1	35.3/-47.2

ENGINEER'S NOTES

ALL CONSTRUCTION SHALL BE PROVIDED IN ACCORDANCE WITH FLORIDA BUILDING CODE, OSHA, AISC, AWS D1.1 CODES AND ALL APPLICABLE LOCAL REQUIREMENTS.

BUILDING BASE CONNECTIONS SHALL BE PROVIDED AS SHOWN. ALL MATERIALS IDENTIFIED BY MANUFACTURER NAME MAY BE SUBSTITUTED WITH MATERIALS EQUAL OR EXCEEDING ORIGINAL AS APPROVED BY THE ENGINEER.

ALL SHOP CONNECTIONS SHALL BE WELDED CONNECTIONS. ALL FIELD CONNECTIONS SHALL BE TEKS #3 (1/4" x 1")

ALL STRUCTURAL TUBING ASTM A500 GRADE C
Fy=50ksi Ft=62ksi GALVANIZED

APPROVED PRODUCT LIST					
PRODUCT CATEGORY	SUB CATEGORY	ITEM	MANUFACTURER	STATE OF FL. APPROVAL #	DATE
STRUCTURAL COMPONET	ROOF DECK	26GA. MASTER RIB PANEL	UNION CORRIGATING	FL 9555.2	03/23/2015

I hereby certify that I have reviewed this plan and found it to be in compliance with ASCE 7-10 and setcion 1609 of the FLORIDA BUILDING CODE, 5th Edition. (2014)

ENGINEER LICENSE #38654

TL Hanson & Associates Inc
Consulting Engineer

Po Box 1728 Phone(352)521-5848
Dade City Fl, 33526 EB-5830

AMERICAN CARPORTS & BUILDINGS
12108 WOODSIDE DRIVE
RIVERVIEW, FL. 33579
TEL: 813-671-8808 FAX 813-672-2299

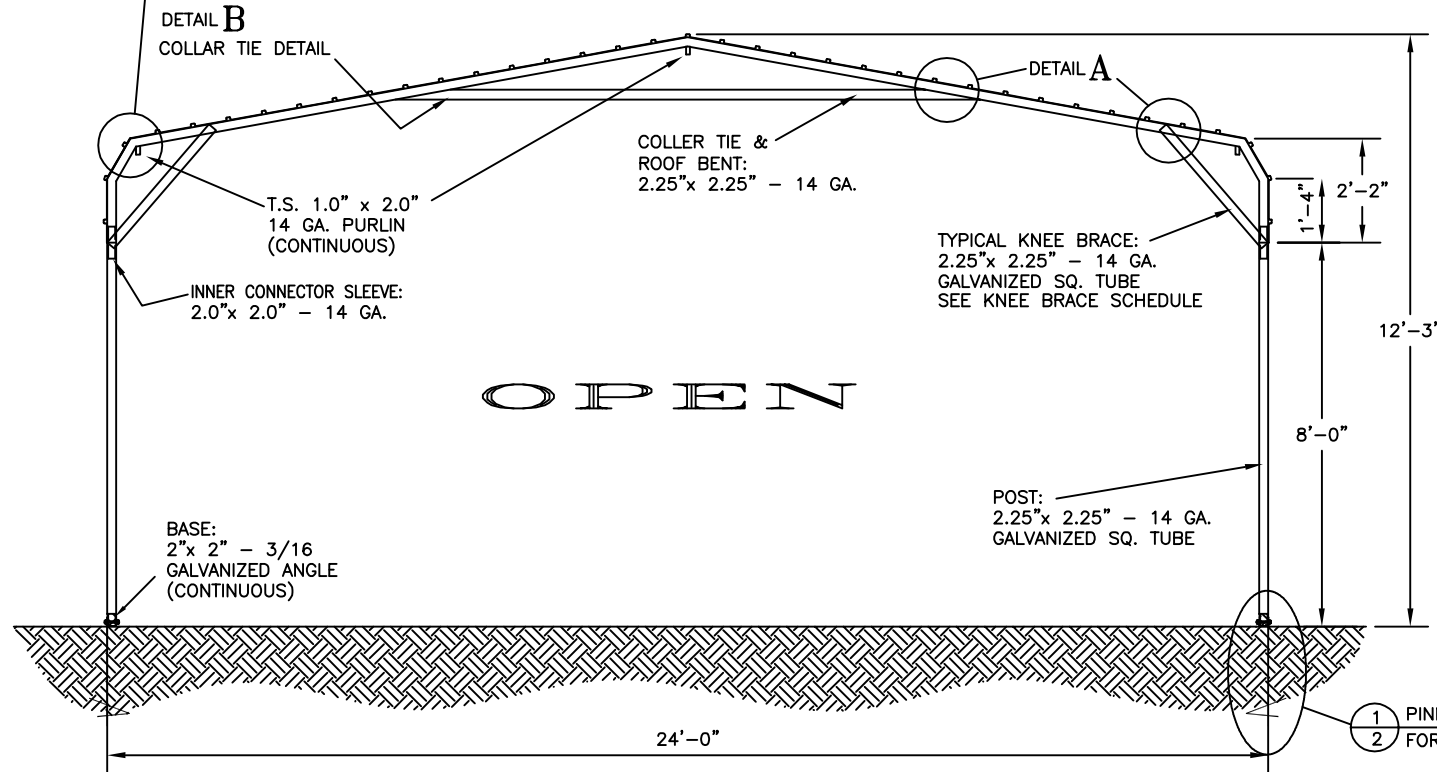
CUSTOMER: **CAN AM FLYERS**
9738 MC KENDREE RD.
SAN ANTONIO, FLORIDA 33576
PASCO COUNTY, FLORIDA

24' X 30' CARPORT

SCALE AS NOTED DATE 02/22/20
DESIGN/DRAWN T.L.HANSON CHECKED

SHEET OF 1 OF 3
PART NO.

RAFTER TO POST CONNECTION
DETAIL 2/2



TYPICAL SECTION

KNEE BRACE SCHEDULE	
KNEE BRACE	2 1/4"x2 1/4"x14 GAUGE L
	@EVERY OTHER TRUSS BEGINING AT ENDS ON ENCLOSED AND OPEN BUILDINGS. WITH EVEN NUMBER OF TRUSSES USE KNEE BRACES ON CENTER TWO TRUSSES
	8' POST L=39"

SCHEDULE OF POST HEIGHT TO RIDGE HEIGHT		
BUILDING WIDTH	24'-0"	KNEE BRACES PER DETAIL
COLLER TIE	YES	
POST HEIGHT	RIDGE HGT.	
8'-0"	12'-3"	

ROOF & WALL PANELS FASTENING CHART (GALVALUM OR BAKED ENAMEL)	
DESIGN NOTES - REF. ROOF AND WALL PANEL MATERIAL GAGE	SPACING OF FASTENERS #10 (1/4")TEK SCREWS x1" LG. FASTEN PER PANEL MFGR'S SPECS
120 MPH V_{asd} WIND ZONE	USE 26 GAGE

I hereby certify that I have reviewed this plan and found it to be in compliance with ASCE 7-10 and setcion 1609 of the FLORIDA BUILDING CODE, 5th Edition. (2014)

ENGINEER LICENSE #38654

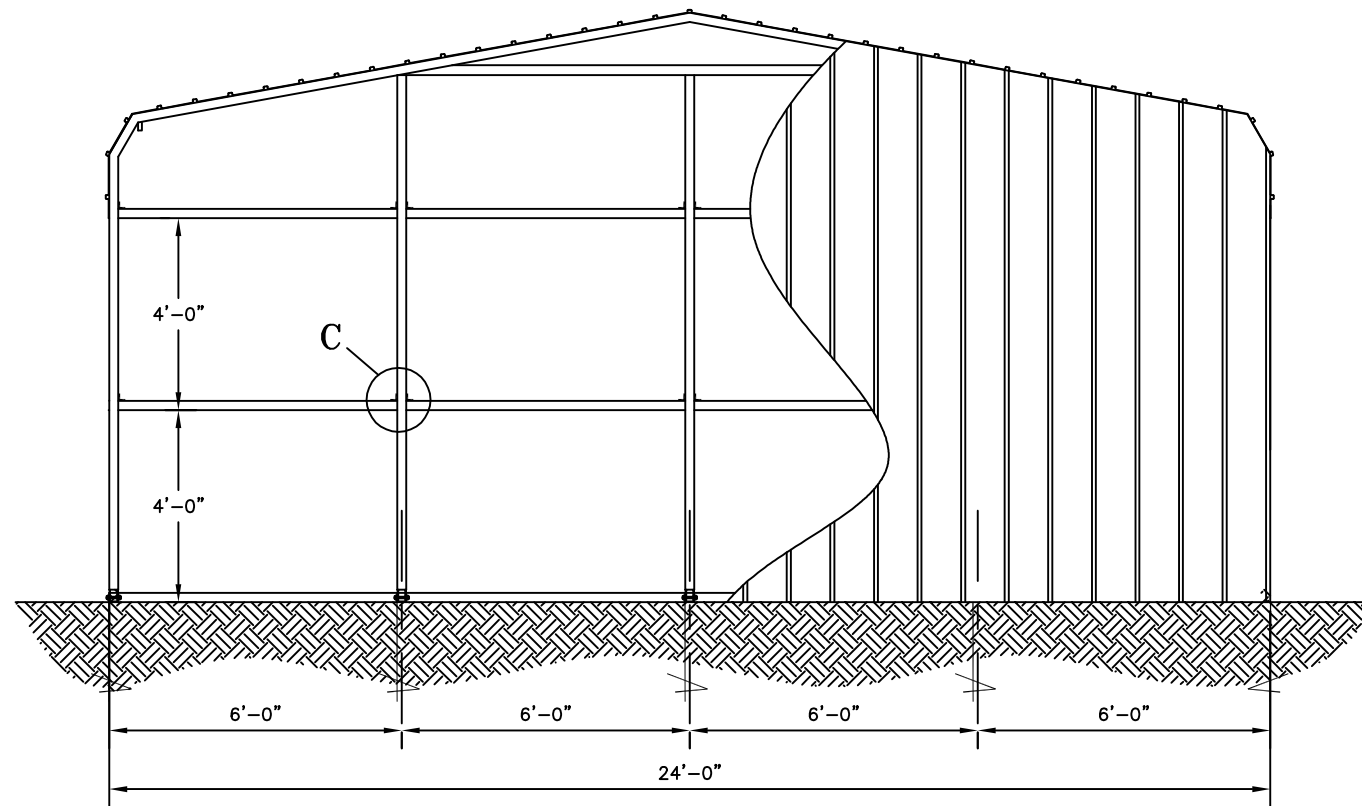
TL Hanson & Associates Inc
Consulting Engineer

Po Box 1728 Phone(352)521-5848
Dade City Fl, 33526 EB-5830

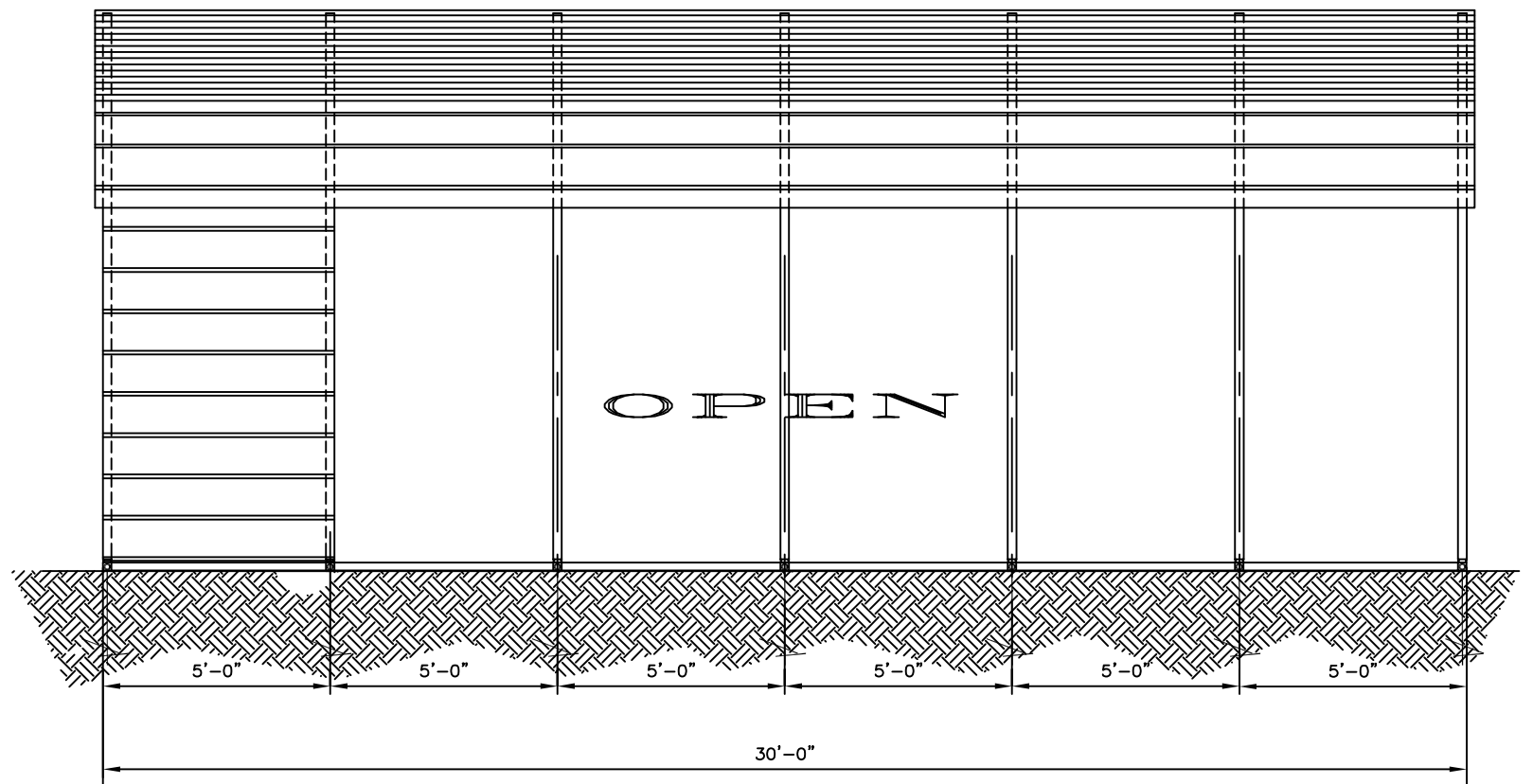
AMERICAN CARPORTS & BUILDINGS
12108 WOODSIDE DRIVE
RIVERVIEW, FL. 33579
TEL: 813-671-8808 FAX 813-672-2299

CUSTOMER: **CAN AM FLYERS**
9738 MC KENDREE RD.
SAN ANTONIO, FLORIDA 33576
PASCO COUNTY, FLORIDA

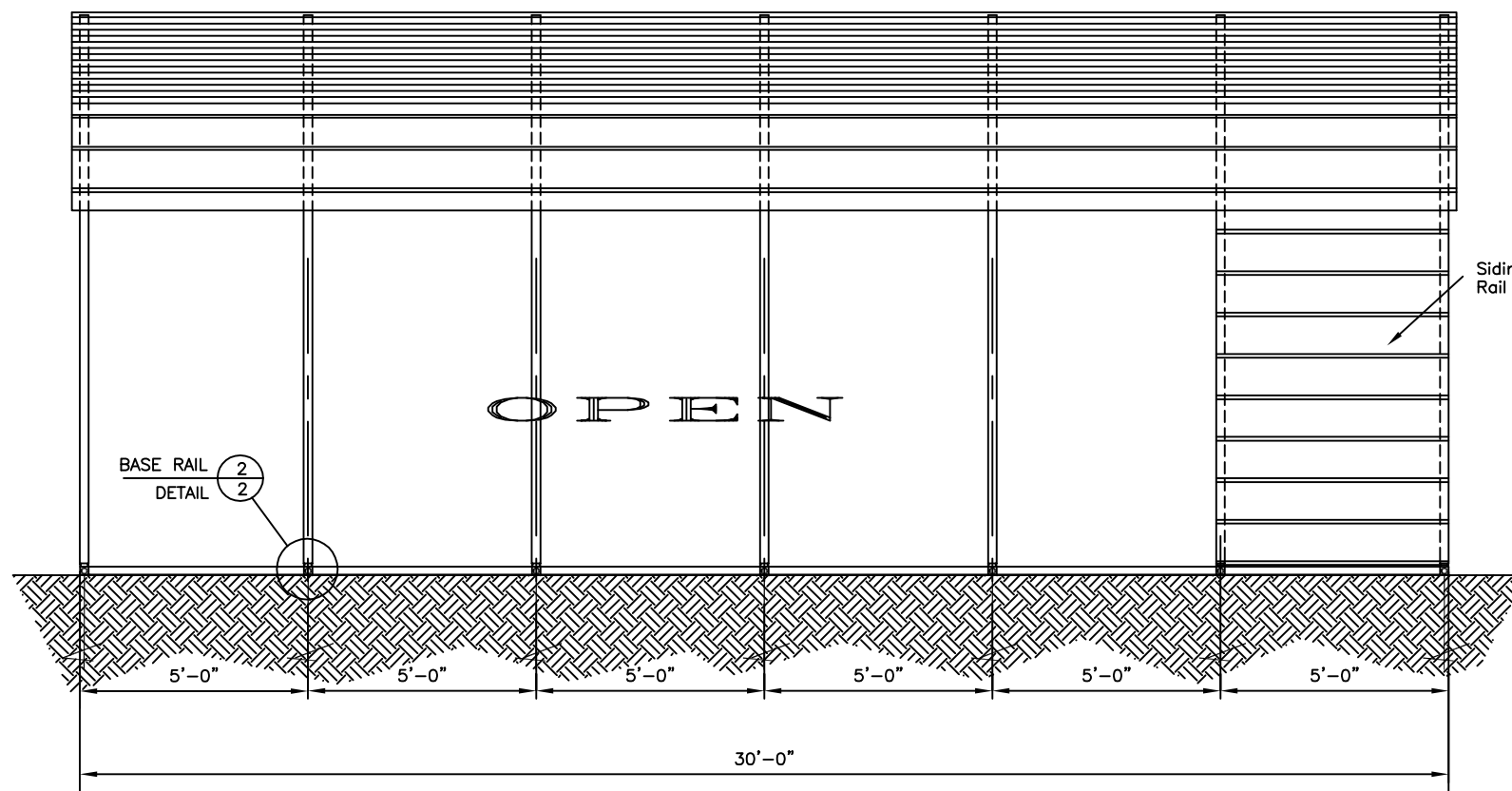
24' X 30' CARPORT	SHEET OF 2 OF 3
SCALE NTS	DATE 02/22/20
DESIGN/DRAWN T.L.HANSON	CHECKED
PART NO.	



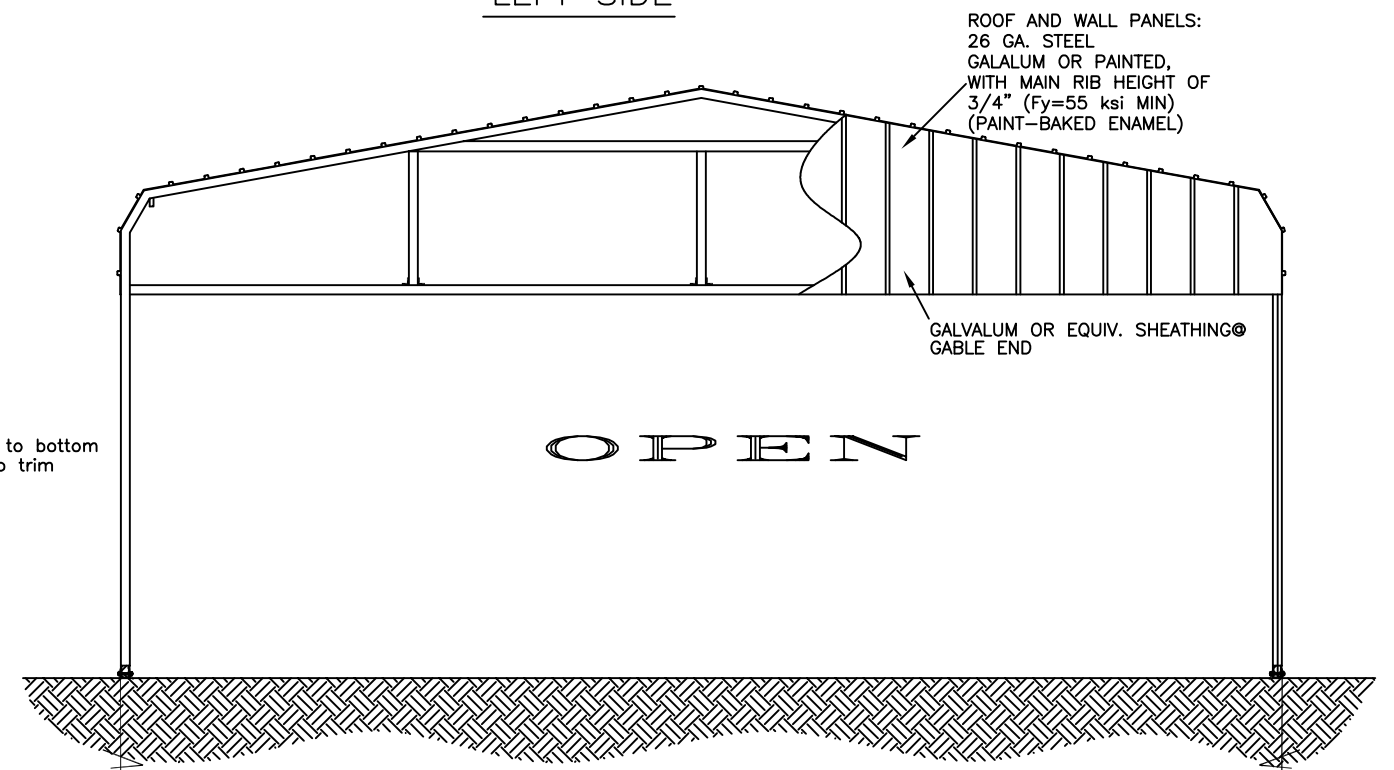
BACK



LEFT SIDE



RIGHT SIDE



FRONT

I hereby certify that I have reviewed this plan and found it to be in compliance with ASCE 7-10 and section 1609 of the FLORIDA BUILDING CODE, 5th Edition. (2014)

TL Hanson & Associates Inc
Consulting Engineer

Po Box 1728 Phone(352)521-5848
 Dade City Fl, 33526 EB-5830

AMERICAN CARPORTS & BUILDINGS

12108 WOODSIDE DRIVE
 RIVERVIEW, FL. 33579
 TEL: 813-671-8808 FAX 813-672-2299

CUSTOMER: **CAN AM FLYERS**
 9738 MC KENDREE RD.
 SAN ANTONIO, FLORIDA 33576
 PASCO COUNTY, FLORIDA

24' X 30' CARPORT

SCALE AS NOTED	DATE 02/22/20	SHEET OF 3 OF 3
DESIGN/DRAWN T.L.HANSON	CHECKED	PART NO.

ENGINEER LICENSE #38654